

APPROVAL REQUIRED



Please confirm the following are correct:

- Spelling
- Imprint Color(s)
- Imprint size(s)
- Imprint location(s)

By approving this Artwork Proof, be aware that you are acknowledging that you have carefully inspected the proof for any errors, including spelling, imprint size, color(s) and location(s) and that you are authorizing us to print your job. Our responsibility is to ensure the printed job matches the signed off proof. Printed items are non-refundable provided the order meets the specifications on this proof.

Modifications requested after approval may not be possible or may cause production and shipping delays and/or additional charges that will also require client approval before production.

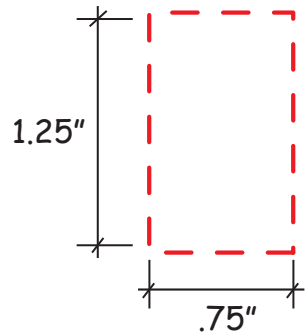
ASTRONAUT STRESS RELIEVER ITEM #26196

COMPANY NAME:

PO #000000

IMPRINT COLOR:

QTY:



2" x 4.5"

